

# Surgical Face Mask type IIR

 **Holík**

your safety comes first

The main intended use of surgical face mask of type IIR is to protect the patient from infective agents and the wearer against splashes of potentially contaminated liquids.



Disposable



3ply



Nose clip



Skin-friendly



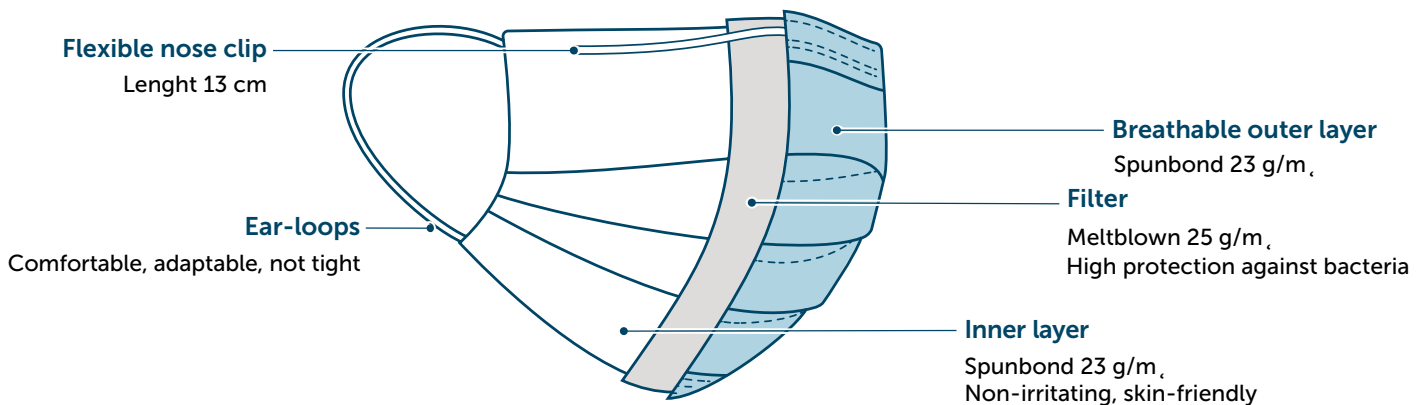
Elastic  
ear loop



Nonwoven  
fabric

## Advantages of Holík face mask

- + Best bacterial filtration efficiency (BFE) in category - 99,51%
- + Non-irritating skin-friendly material
- + Shapeable nose clip that perfectly fits for every type of face
- + Soft well-welded elastic ear-loops
- + Possibility of printing your logo on the face mask
- + Made in Zlin, the Czech Republic, in a production area that is disinfected by germicidal lamps every day



# Surgical Face Mask type IIR



your safety comes first

## Additional information

Tested according to EN 14683:2019+AC:2019 at the prestigious research institute AITEX in Alicante, Spain.

Medical Device class I, type IIR.

Key parametres comparison	Type IIR	
	Standard	Holik mask
Bacterial filtration efficiency BFE (%)	$\geq 98$	99,51
Differential pressure (Pa/cm <sup>2</sup> )	$< 60$	59,8
Splash resistance pressure (kPa)	$\geq 16$	17
Microbial cleanliness (cfu/g)	$\leq 30$	27

## Packaging

### Box

1 Box = 50 Masks

1 Cardboard = 24 Boxes = 1 200 Masks

1 Pallet = 32 Cardboards = 38 400 Masks



## Variants



**Blue**

Size: 17,5 x 9,5 cm



**White**

Size: 17,5 x 9,5 cm



**ANTI-FOG**

Size: 17,5 x 9,5 cm